

1 Introduction

This document describes the course projects provided in EITF35 “Introduction to Structured VLSI Design” conducted at EIT, LTH. The projects are extensions to the lab assignments 2 and 3, where the ALU and PS/2 keyboard controller need to be integrated to the whole system along with additional components. The basic requirement for projects is that the result obtained by performing some functions such as addition, multiplication, and other ALU operations is to be displayed on a computer screen interfaced to the FPGA using the VGA port.

NOTE: Completion of project 1 gives a grade 4 and completion of both will result in a grade 5.

Students interested in developing their own project to obtain a grade 5 instead of the suggested project are welcome to discuss their proposals with the TAs. There are several sensors on the Nexys 4 board which could be used to perform interesting projects. One example would be to use the microphone or to use the accelerometers to implement a simple video game.

2 Objectives

At the end of these projects the student will have learnt

- How to use the IP generator from Xilinx to instantiate IP cores
- How to perform fixed point programming and compare results from an algorithm in Matlab with the output from the hardware design

3 Assignments

- * Project 1 - A calculator with memory:

Instantiate an 8 kB, 8 bit wide RAM in your design using Xilinx IP generator. Integrate the keyboard, ALU, VGA controller and the newly created IP into your design. The design should be able to input operands from the keyboard, store them into the RAM and later calculate the result and display the result on the VGA.

- * Project 2 - Integrated ALU with memory and CORDIC unit:

The design should be able to get operands from the keyboard and store them in the RAM. Along with performing the already implemented operations, the ALU should be able to transform Cartesian vector coordinates into Polar coordinates with upto 2 decimal digits in accuracy after the decimal point. The result should be displayed on the seven segment display as well as the VGA screen.

A typical block diagram for the top level with both project 1 and 2 integrated is shown in Fig 1.

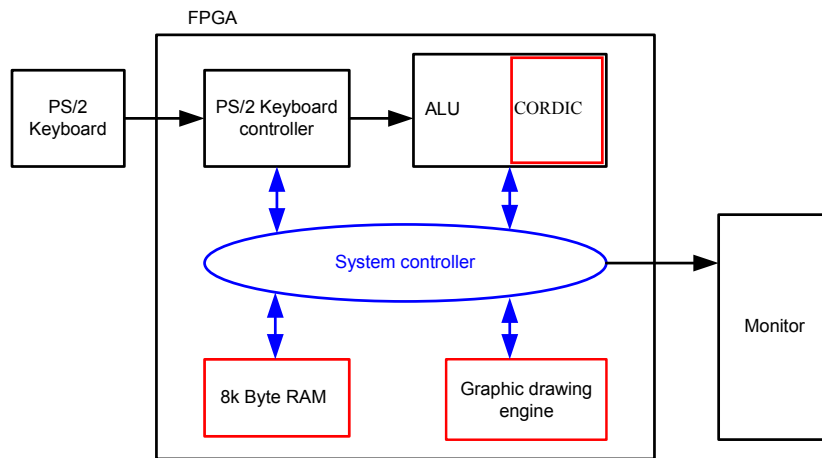


Figure 1: An overview on the course projects

Lab preparation

- Read this manual and try to understand the given tasks. Make sure that you have understood what is expected from the projects. **Consult the lab assistants, if the functionality or any task is not expressed clear enough.**
- Read the VGA section of the digilent Nexys 4 FPGA user manual, and go through the provided VGA controller reference design. The reference design is available on the `S:/shared/Courses/eit/EITF35/VGA_REF_DESIGN`. Understand how a VGA controller works. Read about generation of IP cores using Xilinx IP generator.

Equipment

- A Digilent Nexys-4 FPGA board.
- A PC monitor with a standard VGA port.
- A PS/2 interfaced keyboard.

4 The VGA reference design

To ease the start of the project, a reference design of a VGA controller on the target FPGA board is provided, where a course welcome message is loaded from FPGA's block memories and displayed on the monitor. The student can modify this design to suit the requirements of whichever project he/she chooses to implement.

In both course projects, a VGA display with pixel resolution of $640 \times 480 @ 60\text{Hz}$ is used. The VGA port connections, VGA color signals and basic timing specification can be found in the user guide of the FPGA board provided by Digilent. Therefore, descriptions for these parts are not repeated in this manual, whereas only the VGA signal timing diagram is illustrated here as shown in Fig. 2.

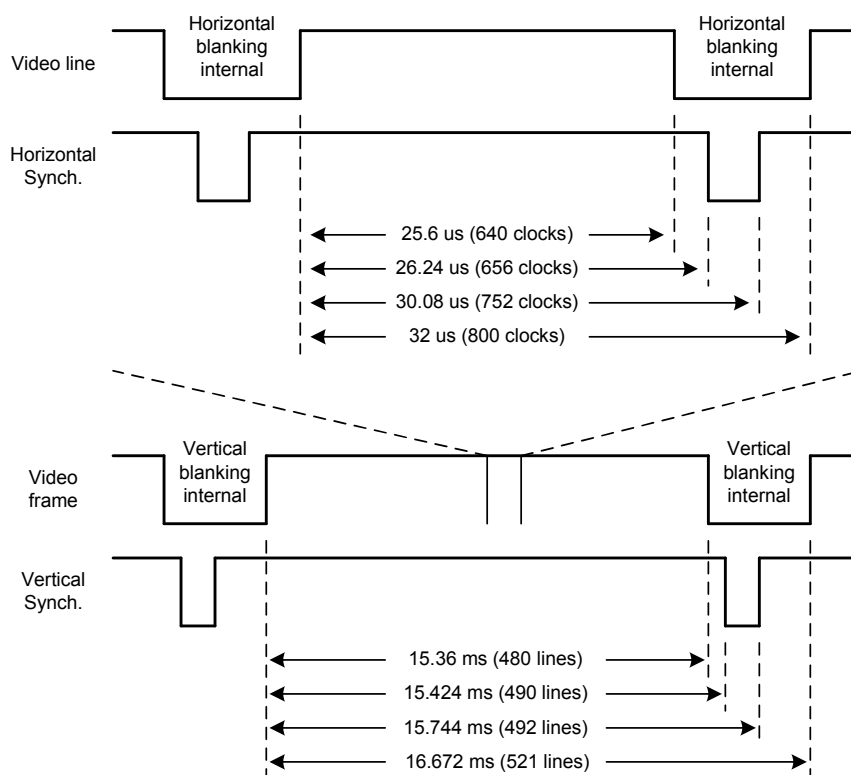


Figure 2: Signal timing diagram for a 60Hz, 640×480 VGA display.

To illustrate the use of the given signal timing information, a reference design of the VGA controller is provided in this course and is briefly described in this manual. The reference design displays a course welcome message on a VGA display, where the message is saved as an image file stored in the block memories of the FPGA. An overview of the provided VGA controller is shown in Fig. 3.

- A) Clocking wizard (DCM) : This module divides the input clock frequency by a factor of 4, as the provided VGA controller is designed based on a system clock of 25MHz. The clocking wizard is a primitive component available in Xilinx's FPGAs, which may be generated from Xilinx Vivado environment with the use of IP generator. The way of generating and properly configuring the Xilinx Clocking wizard is shown as a video clip, placed under:

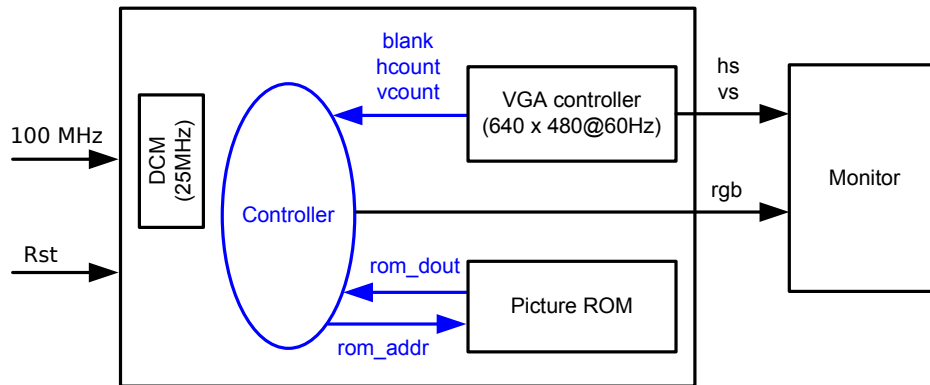


Figure 3: Block diagram of the VGA controller reference design.

“S:/shared/Courses/eit/EITF35/HELP_VIDEOS_AND_IMAGE_CONVERTER”,

NOTE: The video clip uses an older version of the IP generator, but the newer Vivado tool makes it a lot easier. Several example videos can be found online which describe the IP generator. One of the lectures also had a demo session with the IP generators and the corresponding files have been uploaded on the course webpage.

- B) Picture ROM: This is the place where the welcome message is stored. The message is saved as a bitmap image and is stored inside FPGA’s data ROMs. Data ROMs may be generated with the use of Xilinx IP cores, however, the input data files have to be loaded in a “.coe” file format during the ROM generation. This can be accomplished by using the software provided - “imageConverter”, placed under:

“S:/shared/Courses/eit/EITF35/HELP_VIDEOS_AND_IMAGE_CONVERTER”.

A bitmap image conversion is shown in a video clip “*image_converter.wmv*”, and ROM generation is shown in “*ise_clock_rom.wmv*”

- C) VGA controller: This module contains two binary counters, used for tracking on the horizontal video pixels and vertical video lines, respectively. Horizontal and vertical synchronization pulses for the VGA display are generated based on the counters, and an additional blank signal is provided as an output to indicate the VGA blanking time interval.
- D) Controller: The system controller keeps tracking on the current VGA pixel position by using the horizontal and vertical counter values provided from the VGA controller. This module also controls the address of picture ROM, and reads out the image data at the desired pixel locations. 3-bit color codes with one bit each for red, green, and blue are sent to the VGA display, resulting in having 8 different color tones.

Notice that physical pins mappings of the system I/O signals on an FPGA are accomplished with the use of a constraint file, namely the “.xdc” file, which is added in the project structure.

5 Course project 1 (*Grade 4*) - A calculator with memory

In this project, the ALU implemented in lab assignment 3 and PS/2 keyboard controller designed in lab assignment 2 will be reused. A new IP will be generated using the Xilinx IP generator tool.

5.1 Task 1

Start by first understanding how the given VGA controller works. Try assigning your own rgb colors to the display instead of ROM data. Figure out how the vertical and horizontal counters can be used in order to emulate the seven segment display on the LCD. An illustration of the LCD display required is shown in a screen capture, placed under:

`“S:/shared/.../HELP_VIDEOS_AND_IMAGE_CONVERTER/VGA_CALC.jpg”`.

Integrate the VGA controller to the keyboard and the ALU. Use a top level file to instantiate these three IPs as components in order to keep them functionally in separate files. Reuse as much code as possible from your previous designs.

5.2 Task 2

In this step, you will generate your own memory module. The basic steps of generating an IP core are listed below.

- * Click on the IP Catalog in the Project Manager.
- * Search for RAM. In Memories & Storage elements, choose *RAMs & ROMs*. Then choose Block memory generator.
- * In the new window that opens up, examine the memory block that will be generated.
- * Choose a Single port RAM with the Algorithm set to Minimum Area.
- * Set Memory write width to 8 bits and write depth to 8 kB.
- * Leave all other options unchanged. Generate memory.

Once this is done, a new IP will appear in your design hierarchy window. Examine the HDL files generated by clicking on + beside the IP and choosing the HDL files. The component instantiation that needs to be used in your calculator design can be found in this HDL instantiation file.

5.3 Task 3

Integrate the memory module into your design by instantiating it as a component and verify that integration has succeeded. Refer to Fig 4 and the following steps for some suggested (but not compulsory) ways to verify the memory controller. We will perform read and write operations to the memory using the basic pins and switches available on the board.

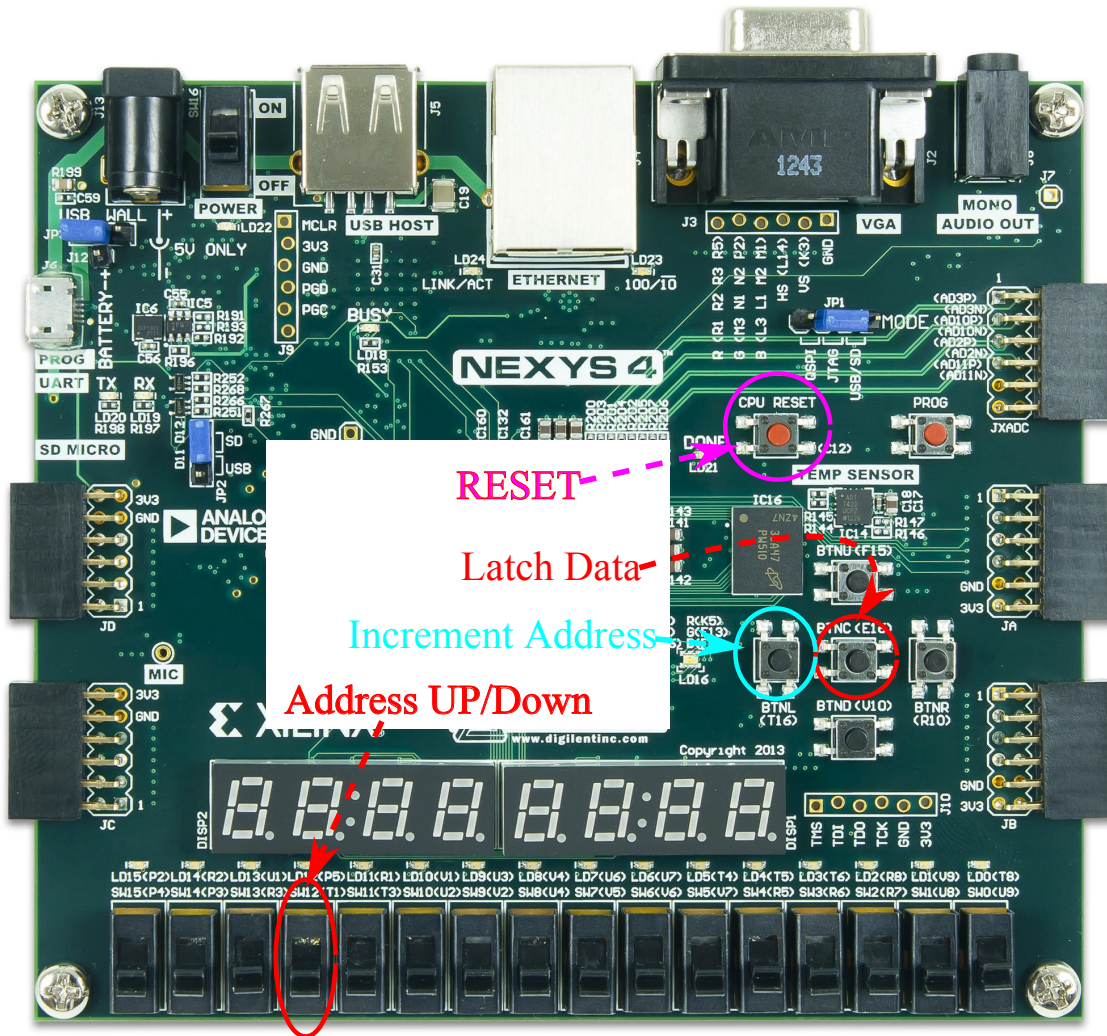


Figure 4: FPGA with memory controls

- * Assign CPU RESET to reset your system. Check whether the reset is active high or low and make appropriate changes to your code. If you have a different polarity, instead of changing the whole code, you can create a local reset signal with the required polarity in your top level and use this as the reset for the rest of your system.
- * Even though the mem_data bus generated from the IP will be 8 bits, for testing we will now use only 4 bits. Assign the mem_data[3 downto 0] bits to your keyboard out data. Assign the upper 4 bits to zero.
- * Design a counter and connect the mem_address to this counter. When BTNL is pressed and if SWITCH[12] is set to 0, the address should increment. The address should decrement if BTNL is pressed when SWITCH[12] is set to 1. Remember to use debouncing logic on the BTN, if not the memory address might increment by more than one at each press of BTNL. It would be a good idea to also connect the mem_write_enable to this button.
- * Try and use the LED0-7 present on the board for debugging. Check whether after

adding debouncing logic the address increments by the required steps.

- * Assign BTNC to enable data latching. The keyboard data should be registered to the memory input only when BTNC is pressed.
- * Connect the memory_out data to the seven segment display, either on the FPGA or on the LCD screen for debugging.

It is always a good idea to look at the warnings tab when synthesizing the design. Understand the warnings shown and see if they are OK for your design. It may happen that the memory block is not connected properly and your system does not work.

5.4 Task 4

The next step is to write code to enable data storage in the memory along with the operators. Use the same BTNC-BTNL logic described above to store a string of data into the memory along with the operands. The input data range is from 0 to 255 and the inputs are considered to be unsigned. At the end of entering data values along with operands, the ALU should be started. This can be done by pressing the <Enter> key on your keyboard.

- A) At the press of every <Enter> key the memory controller should be able to pop the top three memory locations (the two data operands and the operator), compute the result and display it on the VGA screen.
- B) On the next <Enter> key the next two data operands and the operator have to be popped out from the memory and result should be displayed on the VGA screen. Do not forget to take into account that for the mod 3 operator we need to enter only one data and the operand. Remember also that the result could be either a positive or a negative number. Therefore it is required to display the sign of the result before the result as shown in the example in Fig. 5.
- C) Since the data RAM created will be 8 bits wide and we need to store some operands along with data, some of the bit patterns can be assigned for these operators (e.g. "+", "-", "=", "mod", "*"). Choose the range of 130 to 135 for operators. This also means that input data in the range of 130 to 135 shall not be considered as operands.
- D) The values should be stored into the RAM only when proper operands and operators have been entered. There should be an option to use the back space key to input a different set of operators and operands. For example, if a mistake is done while entering the operands, one could use the backspace key to delete the already entered numbers and start over. A detailed description of operators and operands is as follows:
- E) Both data operands must be displayed in at least 3 digits (hundreds, tens, units) on the VGA screen and the computation results must also be represented in three digits (hundreds, tens, units) along with the **sign**. The operands, computation result along with the operator must be shown on the emulated 7-segments on a VGA monitor. For example if one has to compute the sum of 98 and 99 the VGA display should look like the output in Fig. 5. The inputs will be entered in the 3 digits format,

meaning if one wants to use 9 as an operand, the input from the keyboard shall be 009. If the data entered is above the limit, then the number shall be stored as 255. For example if the user enters 1234 as the first input operator, the calculator shall store this number as 255 when the data latch button is pressed. Note that the backspace key should be operational to fix the data before the data latch button is pressed.

- F) If you plan on performing project 2, consider that the maximum width of the result displayed on the monitor should be 5 digits, which corresponds to the hypotenuse of 255.00. Also you need to display the angle in degrees in this case which can be done underneath the hypotenuse or shifting both values such that they are vertically centered with the equal sign.

$$098 + 099 = +197$$

Figure 5: Example VGA Output

Remember that the result is signed and the operands are unsigned. This will enable one to design a simple state machine to accept the right amount of inputs before storing them in the memory.

- G) The design must be able to perform the following different computation operations: addition, subtraction, multiplication and modulo 3. An indication of overflow/underflow should also be displayed when it happens.
- H) The emulated 7-segments have to be shown in a visible size. It is allowed to load digits and operators from data ROMs, however, you have to consider the available memory capacity in the FPGA. It is recommended to design a display engine for one 7-segment, and use it to generate digits at all locations during system run-time. Using either logic or data memories is always a design trade off, where a common practice is to use a mixed design approach to find a balanced point between them. You may, for instance, store all data operators (e.g. “+”, “-”, “=”, “*”) in ROMs, and generate all digits by using one 7-segment display engine.

An example output of the memory operation is shown in Fig 6. Refer to the presentations uploaded along with this manual for details on how to fill in the memory and reading the memory. To begin with, the write address is “0”. When data and operands are entered, the memory will fill up in a way similar to a stack. Once the user decides to compute the results, the <Enter> key will be pressed. This should result in popping data from the top of the stack and displaying results on the VGA screen. Further <Enter> keys should pop data correctly in order to display the corresponding result. The calculator should also be able to accept data inputs in the middle of displays. For example in Fig. 6 after the third <Enter> key has been pressed resulting in a display of +049 on the VGA monitor, the user should be able to input more operands and operators. This should result in the memory being filled up again until the user decides to evaluate the results using the <Enter>

key. Contact the teaching assistant if you have any questions on the operation of the memory.

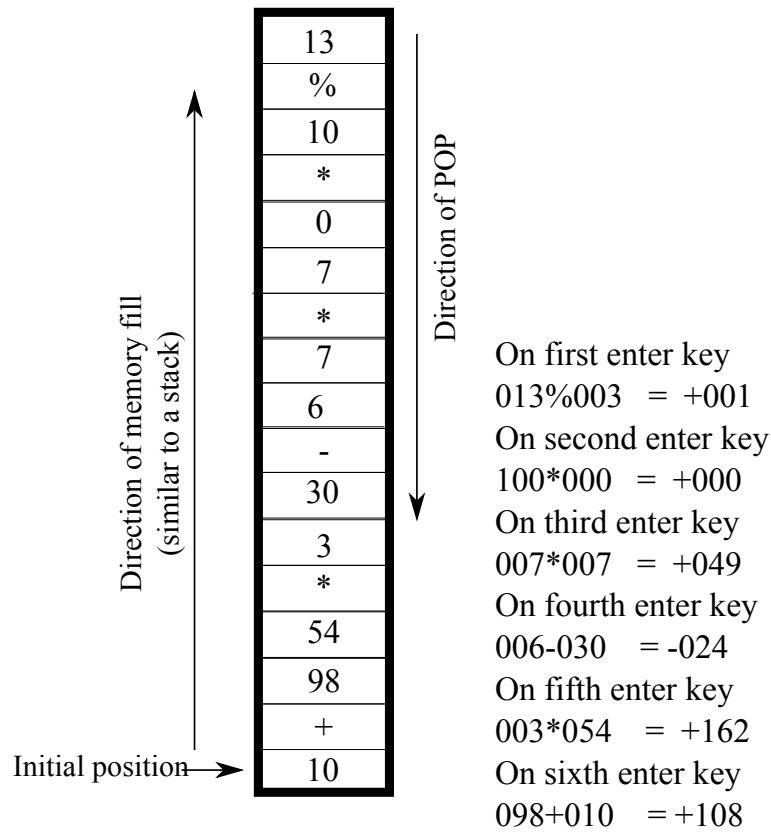


Figure 6: Example output

6 Course project 2 (*Grade 5*) - ALU with CORDIC and Memory

In this project a CORDIC (COordinate Rotation DIgital Computer) core will be added to the design. The input will be the Cartesian X and Y coordinates of a vector as unsigned number. Using the CORDIC core, the vector coordinates will be transformed into polar coordinates with a hypotenuse and the respective angle. The computed result should be displayed on the emulated seven segment display on the VGA monitor with upto **two decimal digits** in accuracy. The detailed requirements are as follows

- A) Interface the keyboard, ALU and the VGA as explained in the previous sections. Emulate a seven segment display on the VGA screen.
- B) The CORDIC core is to be designed and integrated in the ALU. The used algorithm is shown in Algorithm 1. For the internal calculation use a signed fixed point format with a wordlength of 24 and a fractional length of 12 whereas the result will always be unsigned. Use 10 iterations to transform the coordinates. The hypotenuse and angle shall be displayed with an accuracy of 2 decimals. The design should be capable of accepting data from keyboard, compute results for different operands like addition, multiplication and CORDIC, then display the result on the VGA screen. You can assign the key of your choice to perform the CORDIC, such as the 'c' button from the keyboard. Hypotenuse values of larger than 255 should generate an overflow.
- C) **The final implementation of the CORDIC unit should not include any multipliers except for the scaling of the hypotenuse after all iterations.**
- D) The final result obtained will contain an integer part and a fractional part (you may want to convert the result to another format than 12.12 signed fixed point before displaying). The integer part and the fractional part needs to be displayed as a BCD number. Design a small function to do this.
- E) Integrate the CORDIC unit into the ALU with memory designed in Project 1. The final result should be displayed on the CRT monitor using the VGA controller and the input should come from the keyboard instead of the SWITCH keys.
- F) Remember to do things step by step. Create modules based on functionality and integrate in the top level. For example, you should have a separate module which accepts a seven segment coded number and displays on the VGA, one separate module to perform CORDIC, one to do all the other ALU operations etc.
- G) An easy understandable tutorial for how CORDIC works in more detail can be found on the webpage also including a Matlab script showing the implementation for floating and fixed point.

The CORDIC algorithm used is detailed in Algorithm 1. 10 iterations are used to transform the Cartesian coordinates into Polar coordinates. The transforming process is performed by rotating the vector to the x-axis, such that y is as close to zero as possible. Depending on if y is positive or negative the vector is rotated clockwise or counter-clockwise, respectively. To avoid any multiplications during the iterative process, all

Algorithm 1 CORDIC Hypotenuse and Angle Calculation

```
1: for i = 1 to 10 do
2:   if y >= 0 then
3:      $x_{\text{new}} \leftarrow x + (y/2^{i-1})$ 
4:      $y_{\text{new}} \leftarrow y - (x/2^{i-1})$ 
5:      $SumAngle \leftarrow SumAngle + LookupTable(i)$ 
6:   end if
7:   if y < 0 then
8:      $x_{\text{new}} \leftarrow x - (y/2^{i-1})$ 
9:      $y_{\text{new}} \leftarrow y + (x/2^{i-1})$ 
10:     $SumAngle \leftarrow SumAngle - LookupTable(i)$ 
11:  end if
12:   $x \leftarrow x_{\text{new}}$ 
13:   $y \leftarrow y_{\text{new}}$ 
14: end for
15: Hypotenuse  $\leftarrow x \times 0.6072$ 
```

arithmetic is either additions or bit shifts. The lookup table holds the values for $atan(2^{-x})$ and has to be pre-calculated and stored. Due to the fact, that the tan is used for rotation, and not sin and cos, the hypotenuse gets scaled and a multiplication with a constant factor of 0.6073 (10 iterations) is required before displaying the result.