

# IS61C1024 IS61C1024L

## 128K x 8 HIGH-SPEED CMOS STATIC RAM

MAY 1999

### FEATURES

- High-speed access time: 12, 15, 20, 25 ns
- Low active power: 600 mW (typical)
- Low standby power: 500  $\mu$ W (typical) CMOS standby
- Output Enable ( $\overline{OE}$ ) and two Chip Enable ( $\overline{CE1}$  and CE2) inputs for ease in applications
- Fully static operation: no clock or refresh required
- TTL compatible inputs and outputs
- Single 5V ( $\pm 10\%$ ) power supply
- Low power version available: IS61C1024L
- Commercial and industrial temperature ranges available

### DESCRIPTION

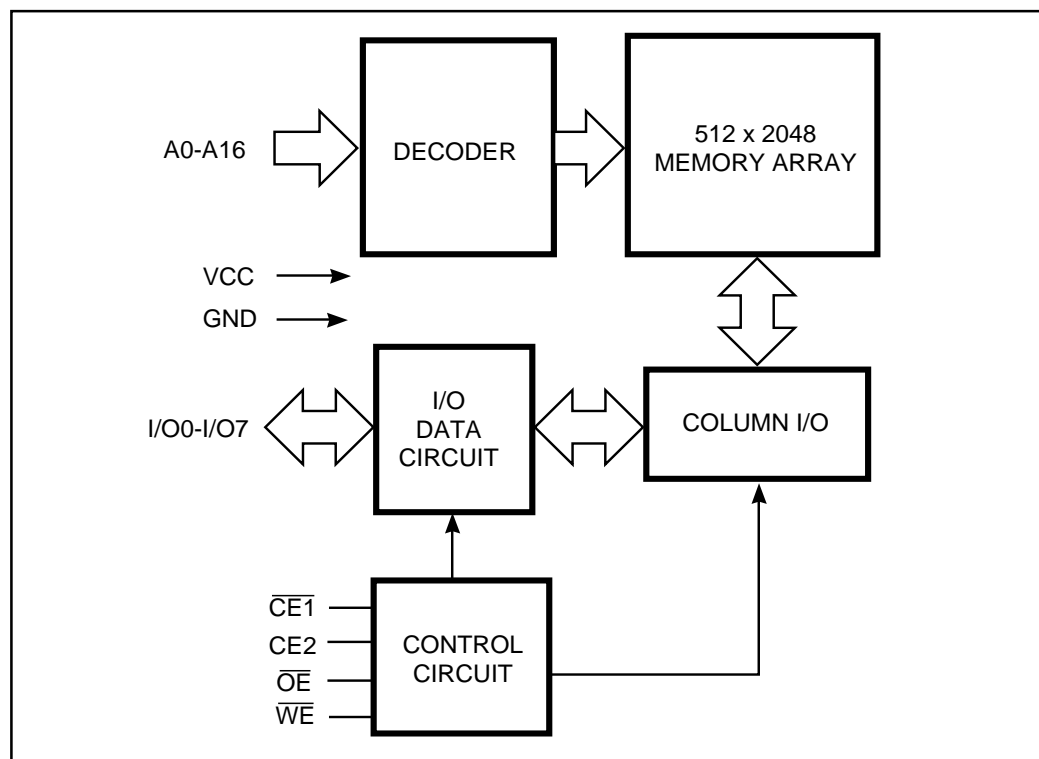
The *ISSI* IS61C1024 and IS61C1024L are very high-speed, low power, 131,072-word by 8-bit CMOS static RAMs. They are fabricated using *ISSI*'s high-performance CMOS technology. This highly reliable process coupled with innovative circuit design techniques, yields higher performance and low power consumption devices.

When  $\overline{CE1}$  is HIGH or CE2 is LOW (deselected), the device assumes a standby mode at which the power dissipation can be reduced by using CMOS input levels.

Easy memory expansion is provided by using two Chip Enable inputs,  $\overline{CE1}$  and CE2. The active LOW Write Enable ( $\overline{WE}$ ) controls both writing and reading of the memory.

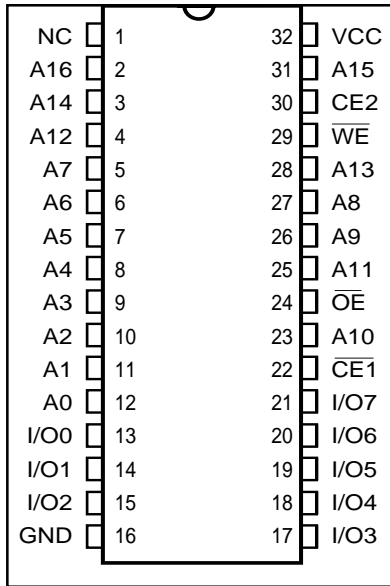
The IS61C1024 and IS61C1024L are available in 32-pin 300-mil SOJ, and TSOP (Type I, 8x20), and sTSOP (Type I, 8 x 13.4) packages.

### FUNCTIONAL BLOCK DIAGRAM

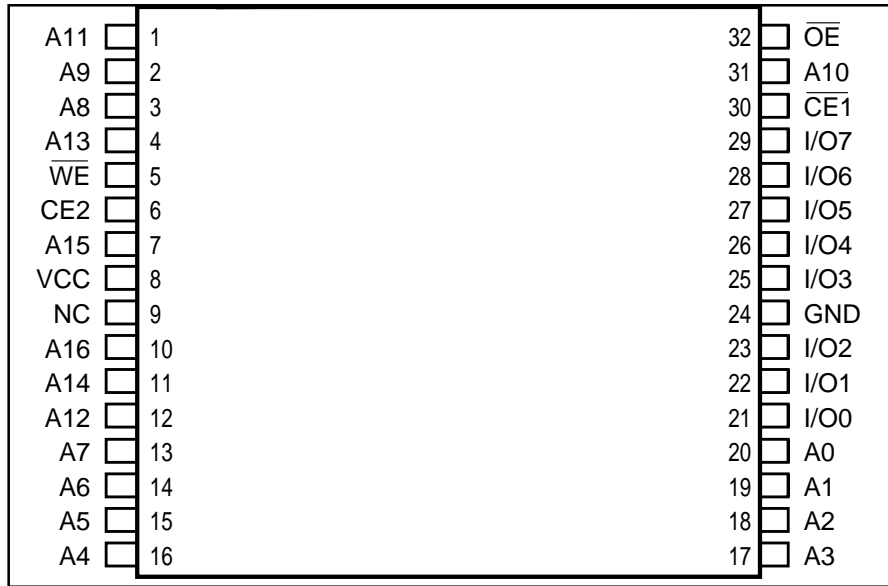


ISSI reserves the right to make changes to its products at any time without notice in order to improve design and supply the best possible product. We assume no responsibility for any errors which may appear in this publication. © Copyright 1999, Integrated Silicon Solution, Inc.

**PIN CONFIGURATION**  
**32-Pin SOJ**



**PIN CONFIGURATION**  
**32-Pin TSOP (Type 1) (T) and sTSOP (Type 1) (H)**



**PIN DESCRIPTIONS**

A0-A16	Address Inputs
$\overline{CE1}$	Chip Enable 1 Input
CE2	Chip Enable 2 Input
$\overline{OE}$	Output Enable Input
$\overline{WE}$	Write Enable Input
I/O0-I/O7	Input/Output
Vcc	Power
GND	Ground

**OPERATING RANGE**

Range	Ambient Temperature	Vcc
Commercial	0°C to +70°C	5V ± 10%
Industrial	-40°C to +85°C	5V ± 10%

**TRUTH TABLE**

Mode	$\overline{WE}$	$\overline{CE1}$	CE2	$\overline{OE}$	I/O Operation	Vcc Current
Not Selected (Power-down)	X	H	X	X	High-Z	Isb1, Isb2
Output Disabled	H	L	H	H	High-Z	Icc1, Icc2
Read	H	L	H	L	DOUT	Icc1, Icc2
Write	L	L	H	X	DIN	Icc1, Icc2

**ABSOLUTE MAXIMUM RATINGS<sup>(1)</sup>**

Symbol	Parameter	Value	Unit
V <sub>TERM</sub>	Terminal Voltage with Respect to GND	-0.5 to +7.0	V
T <sub>BIAS</sub>	Temperature Under Bias	-55 to +125	°C
T <sub>STG</sub>	Storage Temperature	-65 to +150	°C
P <sub>T</sub>	Power Dissipation	1.5	W
I <sub>OUT</sub>	DC Output Current (LOW)	20	mA

**Notes:**

1. Stress greater than those listed under ABSOLUTE MAXIMUM RATINGS may cause permanent damage to the device. This is a stress rating only and functional operation of the device at these or any other conditions above those indicated in the operational sections of this specification is not implied. Exposure to absolute maximum rating conditions for extended periods may affect reliability.

**CAPACITANCE<sup>(1,2)</sup>**

Symbol	Parameter	Conditions	Max.	Unit
C <sub>IN</sub>	Input Capacitance	V <sub>IN</sub> = 0V	5	pF
C <sub>OUT</sub>	Output Capacitance	V <sub>OUT</sub> = 0V	7	pF

**Notes:**

1. Tested initially and after any design or process changes that may affect these parameters.
2. Test conditions: T<sub>A</sub> = 25°C, f = 1 MHz, V<sub>CC</sub> = 5.0V.

**DC ELECTRICAL CHARACTERISTICS (Over Operating Range)**

Symbol	Parameter	Test Conditions	Min.	Max.	Unit	
V <sub>OH</sub>	Output HIGH Voltage	V <sub>CC</sub> = Min., I <sub>OH</sub> = -4.0 mA	2.4	—	V	
V <sub>OL</sub>	Output LOW Voltage	V <sub>CC</sub> = Min., I <sub>OL</sub> = 8.0 mA	—	0.4	V	
V <sub>IH</sub>	Input HIGH Voltage		2.2	V <sub>CC</sub> + 0.5	V	
V <sub>IL</sub>	Input LOW Voltage <sup>(1)</sup>		-0.3	0.8	V	
I <sub>LI</sub>	Input Leakage	GND ≤ V <sub>IN</sub> ≤ V <sub>CC</sub>	Com. Ind.	-2 5	2 5	μA
I <sub>LO</sub>	Output Leakage	GND ≤ V <sub>OUT</sub> ≤ V <sub>CC</sub> Outputs Disabled	Com. Ind.	-2 -5	2 5	μA

**Note:**

1. V<sub>IL</sub> = -3.0V for pulse width less than 10 ns.

**IS61C1024 POWER SUPPLY CHARACTERISTICS<sup>(1)</sup> (Over Operating Range)**

Symbol	Parameter	Test Conditions		-12 ns		-15 ns		-20 ns		-25 ns		Unit
				Min.	Max.	Min.	Max.	Min.	Max.	Min.	Max.	
Icc1	Vcc Operating Supply Current	Vcc = Vcc MAX., $\overline{CE} = V_{IL}$ IOUT = 0 mA, f = 0	Com.	—	85	—	85	—	85	—	85	mA
			Ind.	—	110	—	110	—	110	—	110	
Icc2	Vcc Dynamic Operating Supply Current	Vcc = Vcc MAX., $\overline{CE} = V_{IL}$ IOUT = 0 mA, f = fMAX	Com.	—	170	—	160	—	150	—	140	mA
			Ind.	—	180	—	170	—	160	—	150	
ISB1	TTL Standby Current (TTL Inputs)	Vcc = Vcc MAX., VIN = VIH or VIL $\overline{CE1} \geq V_{IH}$ , f = 0 or $\overline{CE2} \leq V_{IL}$ , f = 0	Com.	—	40	—	40	—	40	—	40	mA
			Ind.	—	60	—	60	—	60	—	60	
ISB2	CMOS Standby Current (CMOS Inputs)	Vcc = Vcc MAX., $\overline{CE1} \leq V_{CC} - 0.2V$ , $\overline{CE2} \leq 0.2V$ VIN > Vcc - 0.2V, or VIN ≤ 0.2V, f = 0	Com.	—	30	—	30	—	30	—	30	mA
			Ind.	—	40	—	40	—	40	—	40	

**Note:**

- At f = fMAX, address and data inputs are cycling at the maximum frequency, f = 0 means no input lines change.

**IS61C1024L POWER SUPPLY CHARACTERISTICS<sup>(1)</sup> (Over Operating Range)**

Symbol	Parameter	Test Conditions		-15 ns		-20 ns		-25 ns		Unit
				Min.	Max.	Min.	Max.	Min.	Max.	
Icc1	Vcc Operating Supply Current	Vcc = Vcc MAX., $\overline{CE} = V_{IL}$ IOUT = 0 mA, f = 0	Com.	—	85	—	85	—	85	mA
			Ind.	—	110	—	110	—	110	
Icc2	Vcc Dynamic Operating Supply Current	Vcc = Vcc MAX., $\overline{CE} = V_{IL}$ IOUT = 0 mA, f = fMAX	Com.	—	160	—	150	—	140	mA
			Ind.	—	170	—	160	—	150	
ISB1	TTL Standby Current (TTL Inputs)	Vcc = Vcc MAX., VIN = VIH or VIL $\overline{CE1} \geq V_{IH}$ , f = 0 or $\overline{CE2} \leq V_{IL}$ , f = 0	Com.	—	40	—	40	—	40	mA
			Ind.	—	60	—	60	—	60	
ISB2	CMOS Standby Current (CMOS Inputs)	Vcc = Vcc MAX., $\overline{CE1} \leq V_{CC} - 0.2V$ , $\overline{CE2} \leq 0.2V$ VIN > Vcc - 0.2V, or VIN ≤ 0.2V, f = 0	Com.	—	500	—	500	—	500	μA
			Ind.	—	750	—	750	—	750	

**Note:**

- At f = fMAX, address and data inputs are cycling at the maximum frequency, f = 0 means no input lines change.

**READ CYCLE SWITCHING CHARACTERISTICS<sup>(1)</sup> (Over Operating Range)**

Symbol	Parameter	-12 <sup>(2)</sup>		-15 ns		-20 ns		-25 ns		Unit
		Min.	Max.	Min.	Max.	Min.	Max.	Min.	Max.	
t <sub>RC</sub>	Read Cycle Time	12	—	15	—	20	—	25	—	ns
t <sub>AA</sub>	Address Access Time	—	12	—	15	—	20	—	25	ns
t <sub>OHA</sub>	Output Hold Time	3	—	3	—	3	—	3	—	ns
t <sub>ACE1</sub>	$\overline{CE1}$ Access Time	—	12	—	15	—	20	—	25	ns
t <sub>ACE2</sub>	CE2 Access Time	—	12	—	15	—	20	—	25	ns
t <sub>DOE</sub>	$\overline{OE}$ Access Time	—	6	—	7	—	9	—	9	ns
t <sub>LZOE<sup>(3)</sup></sub>	$\overline{OE}$ to Low-Z Output	0	—	0	—	0	—	0	—	ns
t <sub>HZOE<sup>(3)</sup></sub>	$\overline{OE}$ to High-Z Output	0	6	0	6	0	7	0	10	ns
t <sub>LZCE1<sup>(3)</sup></sub>	$\overline{CE1}$ to Low-Z Output	2	—	2	—	3	—	3	—	ns
t <sub>LZCE2<sup>(3)</sup></sub>	CE2 to Low-Z Output	2	—	2	—	3	—	3	—	ns
t <sub>HZCE<sup>(3)</sup></sub>	$\overline{CE1}$ or CE2 to High-Z Output	0	7	0	8	0	9	0	10	ns
t <sub>PU<sup>(4)</sup></sub>	$\overline{CE1}$ or CE2 to Power-Up	0	—	0	—	0	—	0	—	ns
t <sub>PD<sup>(4)</sup></sub>	$\overline{CE1}$ or CE2 to Power-Down	—	12	—	12	—	18	—	20	ns

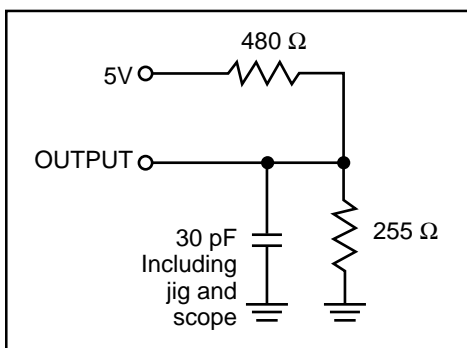
**Notes:**

1. Test conditions assume signal transition times of 3 ns or less, timing reference levels of 1.5V, input pulse levels of 0 to 3.0V and output loading specified in Figure 1.
2. -12 ns device for IS61C1024 only.
3. Tested with the load in Figure 2. Transition is measured  $\pm 500$  mV from steady-state voltage. Not 100% tested.
4. Not 100% tested.

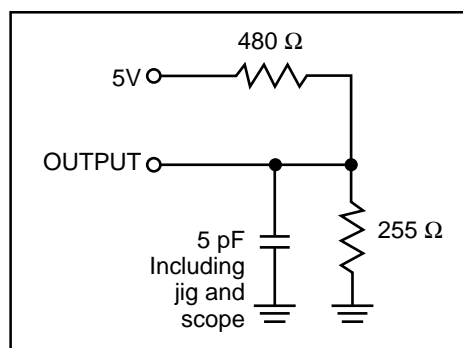
**AC TEST CONDITIONS**

Parameter	Unit
Input Pulse Level	0V to 3.0V
Input Rise and Fall Times	3 ns
Input and Output Timing and Reference Level	1.5V
Output Load	See Figures 1 and 2

**AC TEST LOADS**



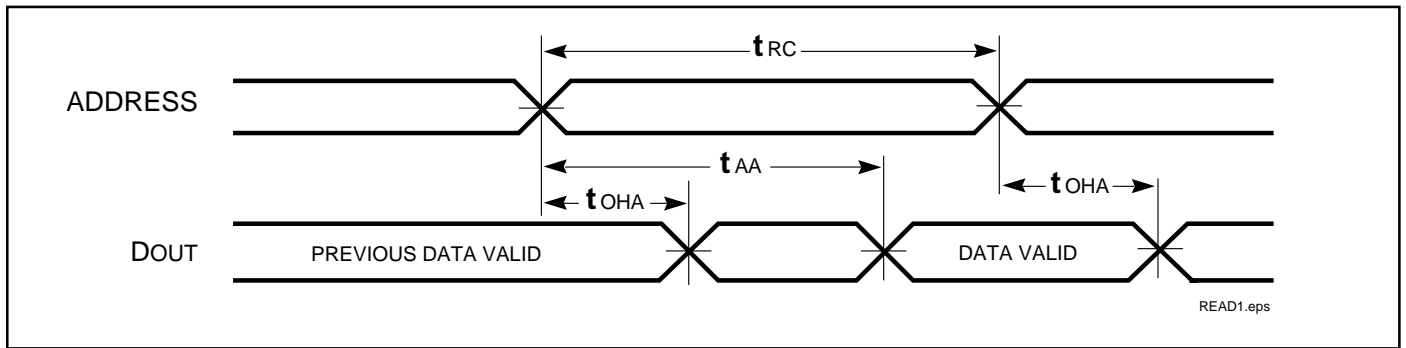
**Figure 1**



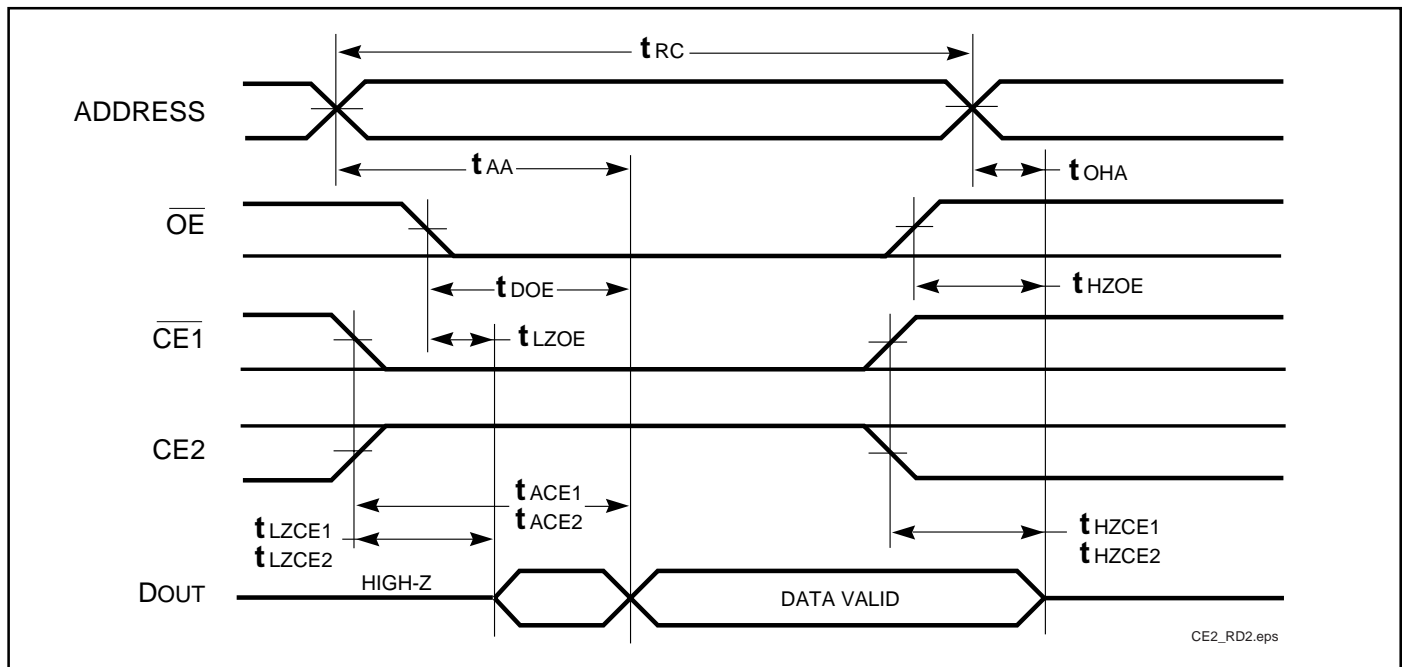
**Figure 2**

AC WAVEFORMS

READ CYCLE NO. 1<sup>(1,2)</sup>



READ CYCLE NO. 2<sup>(1,3)</sup>



Notes:

1.  $\overline{WE}$  is HIGH for a Read Cycle.
2. The device is continuously selected.  $\overline{OE}$ ,  $\overline{CE1} = V_{IL}$ ,  $CE2 = V_{IH}$ .
3. Address is valid prior to or coincident with  $\overline{CE1}$  LOW and CE2 HIGH transitions.

**WRITE CYCLE SWITCHING CHARACTERISTICS<sup>(1,2)</sup>** (Over Operating Range, Standard and Low Power)

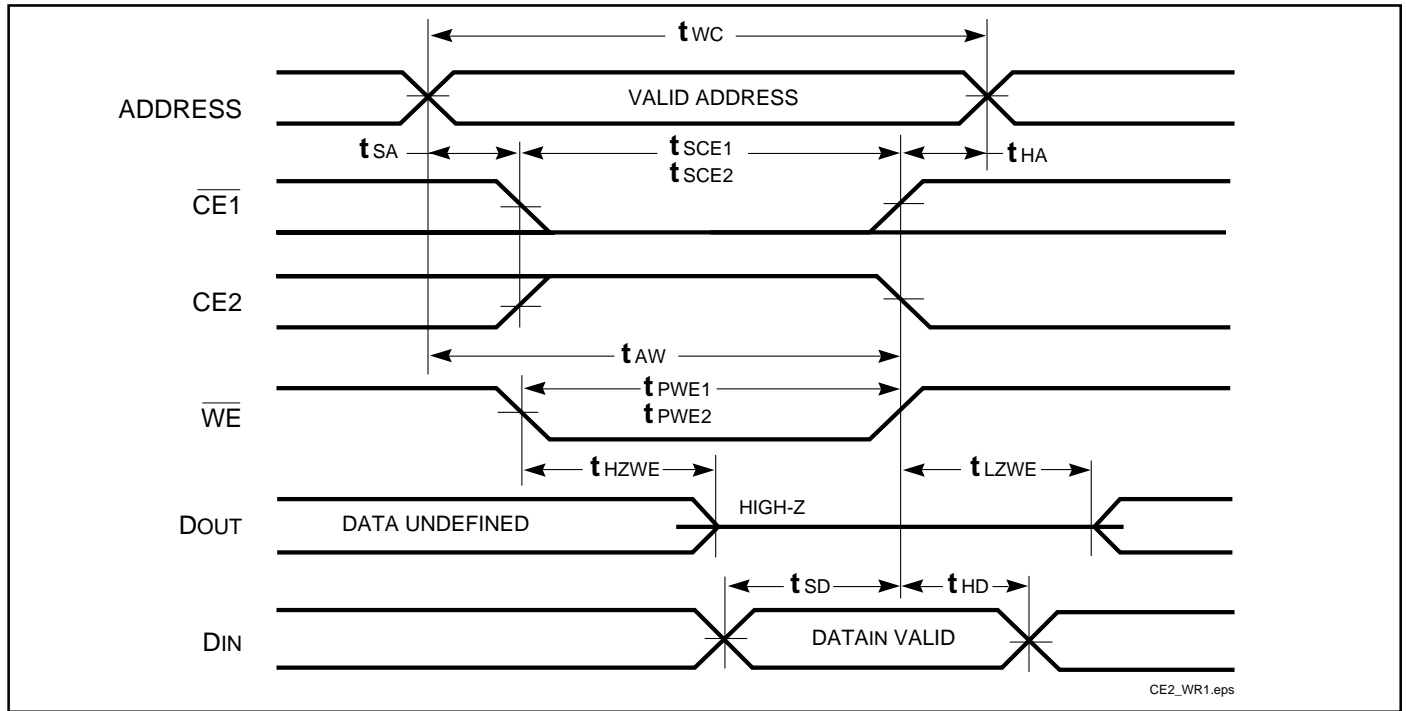
Symbol	Parameter	-12 ns <sup>(3)</sup>		-15 ns		-20 ns		-25 ns		Unit
		Min.	Max.	Min.	Max.	Min.	Max.	Min.	Max.	
t <sub>WC</sub>	Write Cycle Time	12	—	15	—	20	—	25	—	ns
t <sub>SCE1</sub>	$\overline{CE1}$ to Write End	10	—	12	—	15	—	20	—	ns
t <sub>SCE2</sub>	CE2 to Write End	10	—	12	—	15	—	20	—	ns
t <sub>AW</sub>	Address Setup Time to Write End	10	—	12	—	15	—	20	—	ns
t <sub>HA</sub>	Address Hold from Write End	0	—	0	—	0	—	0	—	ns
t <sub>SA</sub>	Address Setup Time	0	—	0	—	0	—	0	—	ns
t <sub>PWE<sup>(4)</sup></sub>	$\overline{WE}$ Pulse Width	10	—	10	—	12	—	15	—	ns
t <sub>SD</sub>	Data Setup to Write End	7	—	8	—	10	—	12	—	ns
t <sub>HD</sub>	Data Hold from Write End	0	—	0	—	0	—	0	—	ns
t <sub>HZWE<sup>(5)</sup></sub>	$\overline{WE}$ LOW to High-Z Output	—	7	—	7	—	10	—	12	ns
t <sub>LZWE<sup>(5)</sup></sub>	$\overline{WE}$ HIGH to Low-Z Output	2	—	2	—	2	—	2	—	ns

**Notes:**

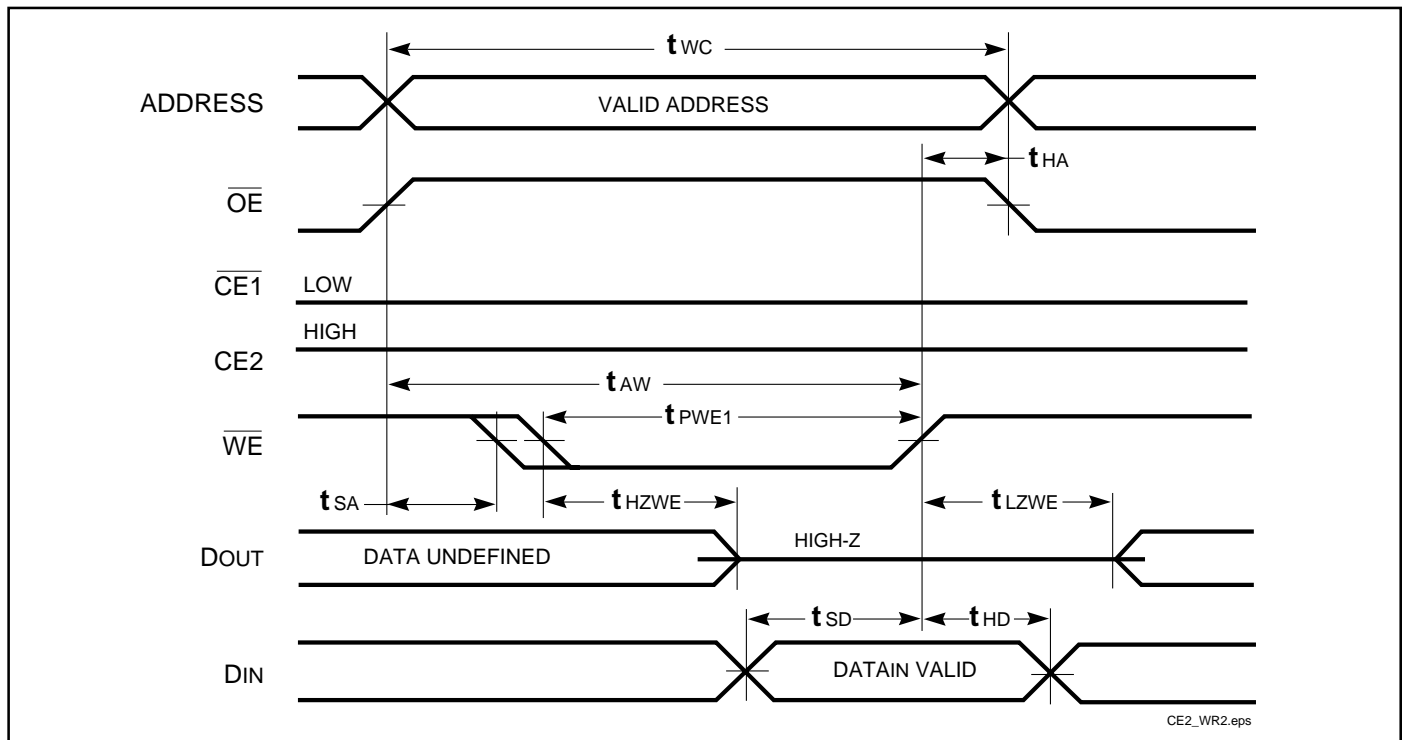
1. Test conditions assume signal transition times of 5 ns or less, timing reference levels of 1.5V, input pulse levels of 0 to 3.0V and output loading specified in Figure 1.
2. The internal write time is defined by the overlap of  $\overline{CE1}$  LOW, CE2 HIGH and  $\overline{WE}$  LOW. All signals must be in valid states to initiate a Write, but any one can go inactive to terminate the Write. The Data Input Setup and Hold timing are referenced to the rising or falling edge of the signal that terminates the Write.
3. -12 ns device for IS61C1024 only.
4. Tested with  $\overline{OE}$  HIGH.
5. Tested with the load in Figure 2. Transition is measured  $\pm 500$  mV from steady-state voltage. Not 100% tested.

AC WAVEFORMS

WRITE CYCLE NO. 1 ( $\overline{CE}$  Controlled,  $\overline{OE}$  is HIGH or LOW) <sup>(1)</sup>



WRITE CYCLE NO. 2 ( $\overline{OE}$  is HIGH During Write Cycle) <sup>(1,2)</sup>

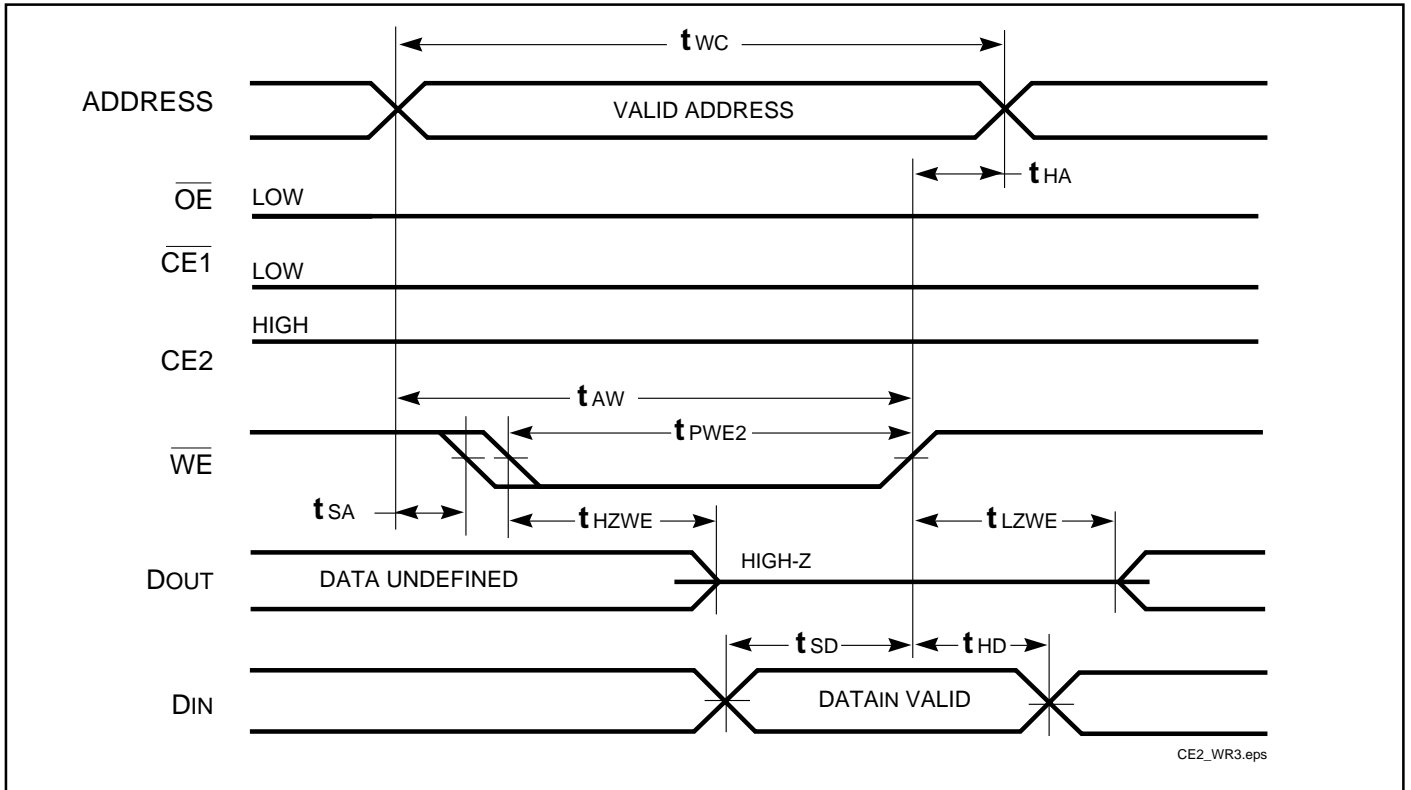


Notes:

1. The internal write time is defined by the overlap of  $\overline{CE1}$  LOW,  $CE2$  HIGH and  $\overline{WE}$  LOW. All signals must be in valid states to initiate a Write, but any one can go inactive to terminate the Write. The Data Input Setup and Hold timing are referenced to the rising or falling edge of the signal that terminates the Write.
2. I/O will assume the High-Z state if  $\overline{OE} = V_{IH}$ .



WRITE CYCLE NO. 3 ( $\overline{OE}$  is LOW During Write Cycle) <sup>(1)</sup>



**IS61C1024 STANDARD VERSION**  
**ORDERING INFORMATION**  
**Commercial Range: 0°C to +70°C**

Speed (ns)	Order Part No.	Package
12	IS61C1024-12J	300-mil Plastic SOJ
12	IS61C1024-12K	400-mil Plastic SOJ
12	IS61C1024-12H	sTSOP (Type I)
12	IS61C1024-12T	TSOP (Type I)
15	IS61C1024-15J	300-mil Plastic SOJ
15	IS61C1024-15K	400-mil Plastic SOJ
15	IS61C1024-15H	sTSOP (Type I)
15	IS61C1024-15T	TSOP (Type I)
20	IS61C1024-20J	300-mil Plastic SOJ
20	IS61C1024-20K	400-mil Plastic SOJ
20	IS61C1024-20H	sTSOP (Type I)
20	IS61C1024-20T	TSOP (Type I)
25	IS61C1024-25J	300-mil Plastic SOJ
25	IS61C1024-25K	400-mil Plastic SOJ
25	IS61C1024-25H	sTSOP (Type I)
25	IS61C1024-25T	TSOP (Type I)

**IS61C1024 STANDARD VERSION**  
**ORDERING INFORMATION**  
**Industrial Range: -40°C to +85°C**

Speed (ns)	Order Part No.	Package
12	IS61C1024-12JI	300-mil Plastic SOJ
12	IS61C1024-12KI	400-mil Plastic SOJ
12	IS61C1024-12HI	sTSOP (Type I)
12	IS61C1024-12TI	TSOP (Type I)
15	IS61C1024-15JI	300-mil Plastic SOJ
15	IS61C1024-15KI	400-mil Plastic SOJ
15	IS61C1024-15HI	sTSOP (Type I)
15	IS61C1024-15TI	TSOP (Type I)
20	IS61C1024-20JI	300-mil Plastic SOJ
20	IS61C1024-20KI	400-mil Plastic SOJ
20	IS61C1024-20HI	sTSOP (Type I)
20	IS61C1024-20TI	TSOP (Type I)
25	IS61C1024-25JI	300-mil Plastic SOJ
25	IS61C1024-25KI	400-mil Plastic SOJ
25	IS61C1024-25HI	sTSOP (Type I)
25	IS61C1024-25TI	TSOP (Type I)

**IS61C1024L LOW POWER VERSION**  
**ORDERING INFORMATION**  
**Commercial Range: 0°C to +70°C**

Speed (ns)	Order Part No.	Package
15	IS61C1024L-15J	300-mil Plastic SOJ
	IS61C1024L-15K	400-mil Plastic SOJ
	IS61C1024L-15H	sTSOP (Type I)
	IS61C1024L-15T	TSOP (Type I)
20	IS61C1024L-20J	300-mil Plastic SOJ
	IS61C1024L-20K	400-mil Plastic SOJ
	IS61C1024L-20H	sTSOP (Type I)
	IS61C1024L-20T	TSOP (Type I)
25	IS61C1024L-25J	300-mil Plastic SOJ
	IS61C1024L-25K	400-mil Plastic SOJ
	IS61C1024L-25H	sTSOP (Type I)
	IS61C1024L-25T	TSOP (Type I)

**IS61C1024L LOW POWER VERSION**  
**ORDERING INFORMATION**  
**Industrial Range: -40°C to +85°C**

Speed (ns)	Order Part No.	Package
15	IS61C1024L-15JI	300-mil Plastic SOJ
	IS61C1024L-15KI	400-mil Plastic SOJ
	IS61C1024L-12HI	sTSOP (Type I)
	IS61C1024L-15TI	TSOP (Type I)
20	IS61C1024L-20JI	300-mil Plastic SOJ
	IS61C1024L-20KI	400-mil Plastic SOJ
	IS61C1024L-12HI	sTSOP (Type I)
	IS61C1024L-20TI	TSOP (Type I)
25	IS61C1024L-25JI	300-mil Plastic SOJ
	IS61C1024L-25KI	400-mil Plastic SOJ
	IS61C1024L-12HI	sTSOP (Type I)
	IS61C1024L-25TI	TSOP (Type I)

*ISSI*<sup>®</sup>

---

***Integrated Silicon Solution, Inc.***

2231 Lawson Lane  
Santa Clara, CA 95054

Tel: 1-800-379-4774

Fax: (408) 588-0806

E-mail: [sales@issi.com](mailto:sales@issi.com)

[www.issi.com](http://www.issi.com)